

Roilgard Inc.

Clean, Easy and Portable

Roilgard offers several types of durable, easy-to-use fluid filter carts that treat fluids and remove suspended particles, providing "A Higher Level of Clean." Filtering working fluids – including the most common types: crankcase oil, hydraulic and transmission fluid – will reduce your costs for fluid replacement and disposal, as well as reduce your labor costs because you'll need fewer fluid changes.

Who Uses Roilgard Filtration Equipment

- Trucking/Delivery Companies
- Manufacturing
- Fabrication shops
- Logging Industry
- Heavy equipment operators
- Machine shops
- Municipalities
- Marine fleets
- Mining industry
- Utilities

Filtering Oil-based Fluids

- Remove chips and foreign debris
- Fine particle filtration
- Remove water

Benefits of a Roilgard Portable Filter Cart

- Extends machine life
- Reduces recycling costs
- Better machine performance
- Reduces down time
- Extends drain intervals

Designed to be Used with the Following Fluids

- Synthetics
- Fire retardants
- Hydrocarbons
- Lube oils
- Water based fluids

BPP Series



Roilgard, Inc.
10525 W. US Hwy. 30
Bldg. 3C
Wanatah, IN 46390

Ph: 219-733-9135
Fax: 219-733-2653

www.roilgard.com

BPP Series

Specifications

- Steel magnetic sheet cartridge pre-filter on suction line to remove large particles
- Stacked element filter - optional pleated paper cartridge or bag filter (sold separately)
- One micron filters for fine filtration (sold separately)
- Other micron ranges available

Pumping System

- Pumping capacities from 2 G.P. M. to 16 G.P.M.*
*Flow based on a viscosity of 100 SSU

Construction

- All portable filter systems use standard 15" 18" or 36" housings rated up to 65 psi working pressure

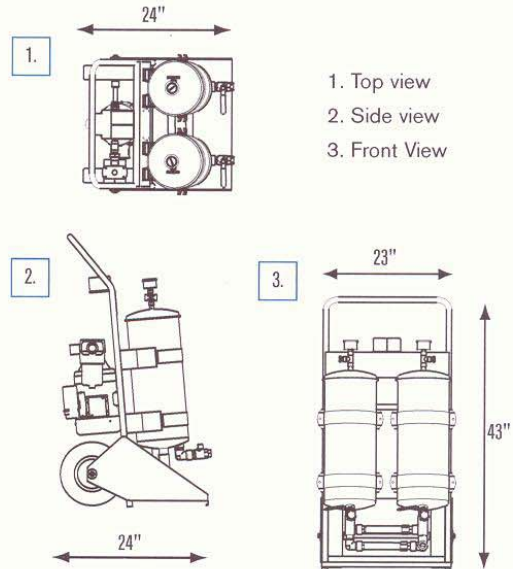
Electrical

- 115/230V, single phase, 50/60 Hz ranging from 1/2 - 1 1/2 h.p. motors - optional 230/460V, single or three phase, 50/60 Hz for 2 and 3 h.p. motors
- UL approved components

Warranty

Warranted to be free of defects in workmanship and materials for 12 months. Purchased items to carry the supplier's warranty. Refer to operation manual for detailed warranty.

For general sales and engineering information only. All units are subject to change without notice. Please consult factory for certified specifications.



Standard Features

- Wrap around handle for easier handling
- Large 10" x 2" wheels for easier maneuverability
- High and low pressure shutdown allows for unattended operation
- Pilot light to indicate unit is running
- Gauges to indicate housing pressure
- Positive displacement, self priming internal gear pump
- Pump with Viton seals and pressure relief valve
- Three way valve for filter or transfer mode
- Cart and housings painted Roilgard blue
- 10 foot suction and discharge hoses
- Pre-filter

Optional Features

- Stainless steel housings
- Programmable controls for automatic operation
- Custom designed accessories

Roilgard, Inc.
10525 W. US Hwy. 30
Bldg. 3C
Wanatah, IN 46390

Ph: 219-733-9135
Fax: 219-733-2653

www.roilgard.com