

Roilgard Inc.

Clean, Easy and Portable

Roilgard offers a durable, easy-to-use portable coolant recycler that is designed to remove suspended particles providing "A Higher Level of Clean." Recycling machine tool coolant will reduce your costs for fluid replacement and disposal, as well as reduce your labor costs because you'll need fewer fluid changes.

Who Uses Roilgard Filtration Equipment

- Manufacturing companies
- Stamping companies
- Machine and Grinding companies

Recycling Water-based Fluids and Removing Oil

- Remove tramp oil
- Remove chips and foreign debris
- Fine particle filtration

Benefits of a Roilgard Portable Recycling Cart

- Extends tooling life
- Reduces recycling costs
- Better machine performance
- Extends drain intervals

PCR Series



Roilgard, Inc.
10525 W. US Hwy. 30
Bldg. 3C
Wanatah, IN 46390

Ph: 219-733-9135
Fax: 219-733-2653

www.roilgard.com

PCR Series

Specifications

- Stainless steel basket strainer with bag filter
- 5 g.p.m. filtration
- 1/2 hp, 1725 rpm motor
- Capacity of approximately 12 gallons (with filter elements)

Pumping System

- 5 g.p.m. positive displacement, self priming

Construction

- System uses 18" or 36" housings rated at 65 PSI working pressure

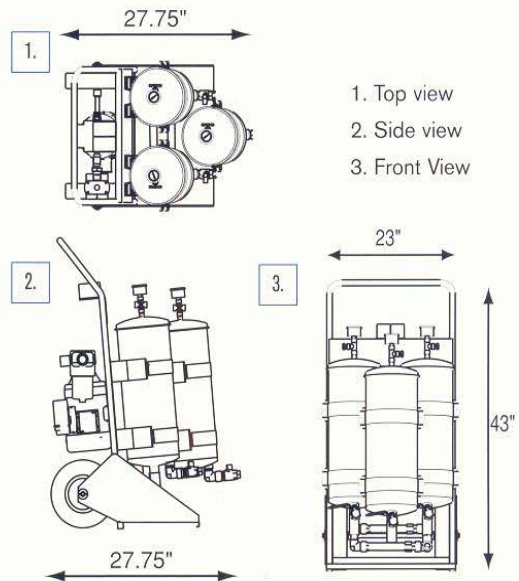
Electrical

- 120 Volt, single phase, 50/60 Hz
Optional - 240/480 Volt, Three Phase
- UL approved components

Warranty

Warranted to be free of defects in workmanship and materials for 12 months. Purchased items to carry the supplier's warranty. Refer to operation manual for detailed warranty.

For general sales and engineering information only. All units are subject to change without notice. Please consult factory for certified specifications.



Standard Features

- Wrap around handle for easy handling
- High/low pressure shutdown protection allows for unattended operation
- Pilot light to indicate unit is on
- Housing pressure and vacuum gauges
- Coalescing filtration with manual drain and sight glass
- Mild steel cart painted Roilgard blue
- 10" x 2" wheels for maneuverability
- 10 foot suction and discharge hoses

Optional Features

- Cleanout wand for accessing hard-to-reach areas of the reservoir
- Stainless steel housings
- Additional oil skimmers with disconnects can be installed and left on each machine reservoir providing efficient maintenance.

Roilgard, Inc.
10525 W. US Hwy. 30
Bldg. 3C
Wanatah, IN 46390

Ph: 219-733-9135
Fax: 219-733-2653

www.roilgard.com